

WINDOW MOUNT VENTILATING FAN



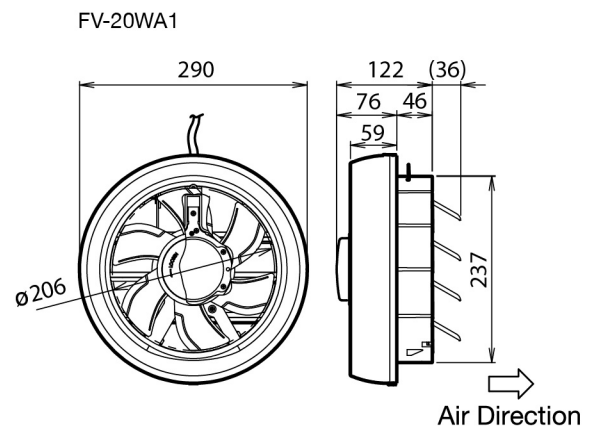
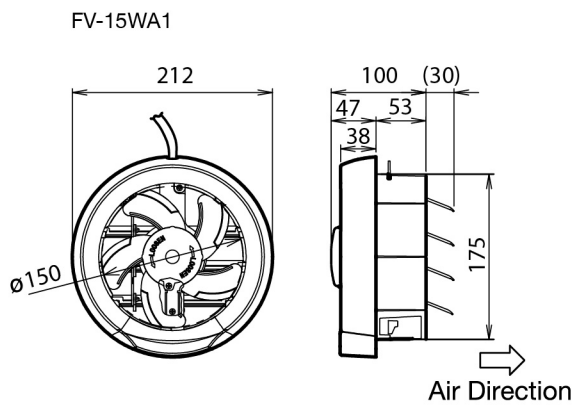
FV-15WA1, FV-20WA1

Automatic Shutter Series

- HP (Half Pitch) condenser motor with thermal cutoff
- Well lubricated ball bearing for long life operation
- Propeller fan with advanced blade design
- Automatic shutter
- Metallic shutter axis enhances durability
- Able to fix on glass plate with 3mm to 7mm thickness

Dimension

Unit : mm



Specification

Model No.	Voltage		Air Volume		Consumption	RPM	Noise	Weight [kg]	Installation Space [mm]
	[V]	[Hz]	[m ³ /h]	[CFM]	[W]	[min ⁻¹]	[dB(A)]		
FV-15WA1	220	50	210	124	14	1,900	43	0.9	$\phi 186$ - $\phi 188$
		60	222	131	18	1,950	44		
	230	50	222	131	15	1,950	-		
		240	50	228	134	16	1,980		
FV-20WA1	220	50	380	224	15	1,320	42	1.4	$\phi 247$ - $\phi 250$
		60	380	224	17	1,365	42		
	230	50	390	230	16	1,335	-		
		240	50	402	237	17.5	1,345		

Note : RPM data is for reference only, values may vary subject to different conditions

Test Condition

- Air volume, electric characteristic and noise are specified at the static pressure of 0 Pa
- The values of noise level is A weighted average sound pressure level, the mean value are measured by our company, within +3 to -7 dB tolerance
- The values of noise level are measured at 1 m apart from the side of fan body
- The values of air volume are the mid-points of results measured by our company, within $\pm 10\%$ tolerance